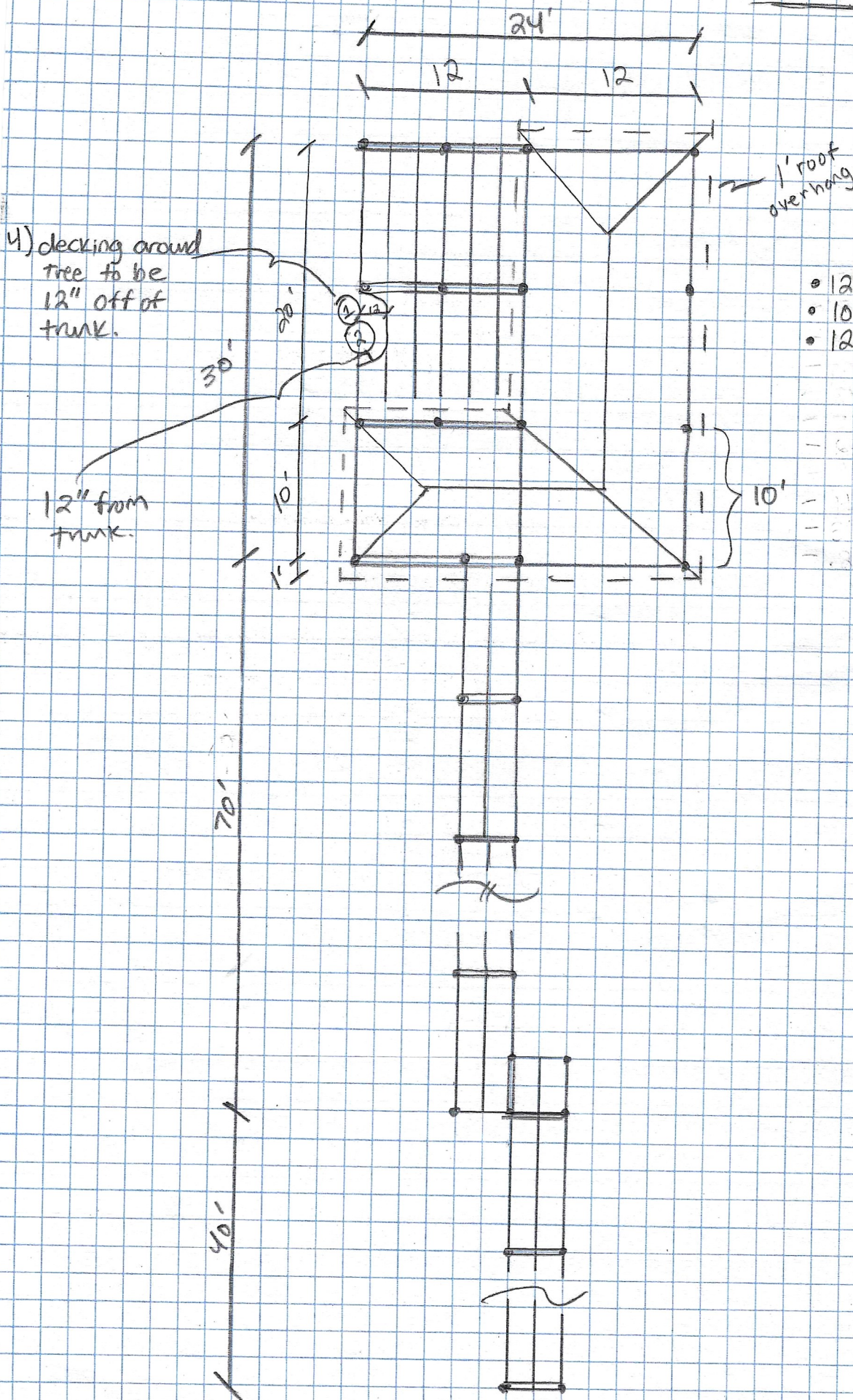


Platform diagram



- 12 x 30 boathouse
- 10 x 12 covered deck.
- 12 x 20 open deck.

- 2x4 joists
- 2x6 joists
- 2x8 joists
- 2x10 joists
- 2x12 joists
- 2x14 joists
- 2x16 joists
- 2x18 joists
- 2x20 joists
- 2x22 joists
- 2x24 joists
- 2x26 joists
- 2x28 joists
- 2x30 joists
- 2x32 joists
- 2x34 joists
- 2x36 joists
- 2x38 joists
- 2x40 joists
- 2x42 joists
- 2x44 joists
- 2x46 joists
- 2x48 joists
- 2x50 joists
- 2x52 joists
- 2x54 joists
- 2x56 joists
- 2x58 joists
- 2x60 joists
- 2x62 joists
- 2x64 joists
- 2x66 joists
- 2x68 joists
- 2x70 joists
- 2x72 joists
- 2x74 joists
- 2x76 joists
- 2x78 joists
- 2x80 joists
- 2x82 joists
- 2x84 joists
- 2x86 joists
- 2x88 joists
- 2x90 joists
- 2x92 joists
- 2x94 joists
- 2x96 joists
- 2x98 joists
- 2x100 joists

4222 SE County Rd. 21b
 Melrose, FL 32666
 05776-0-00200

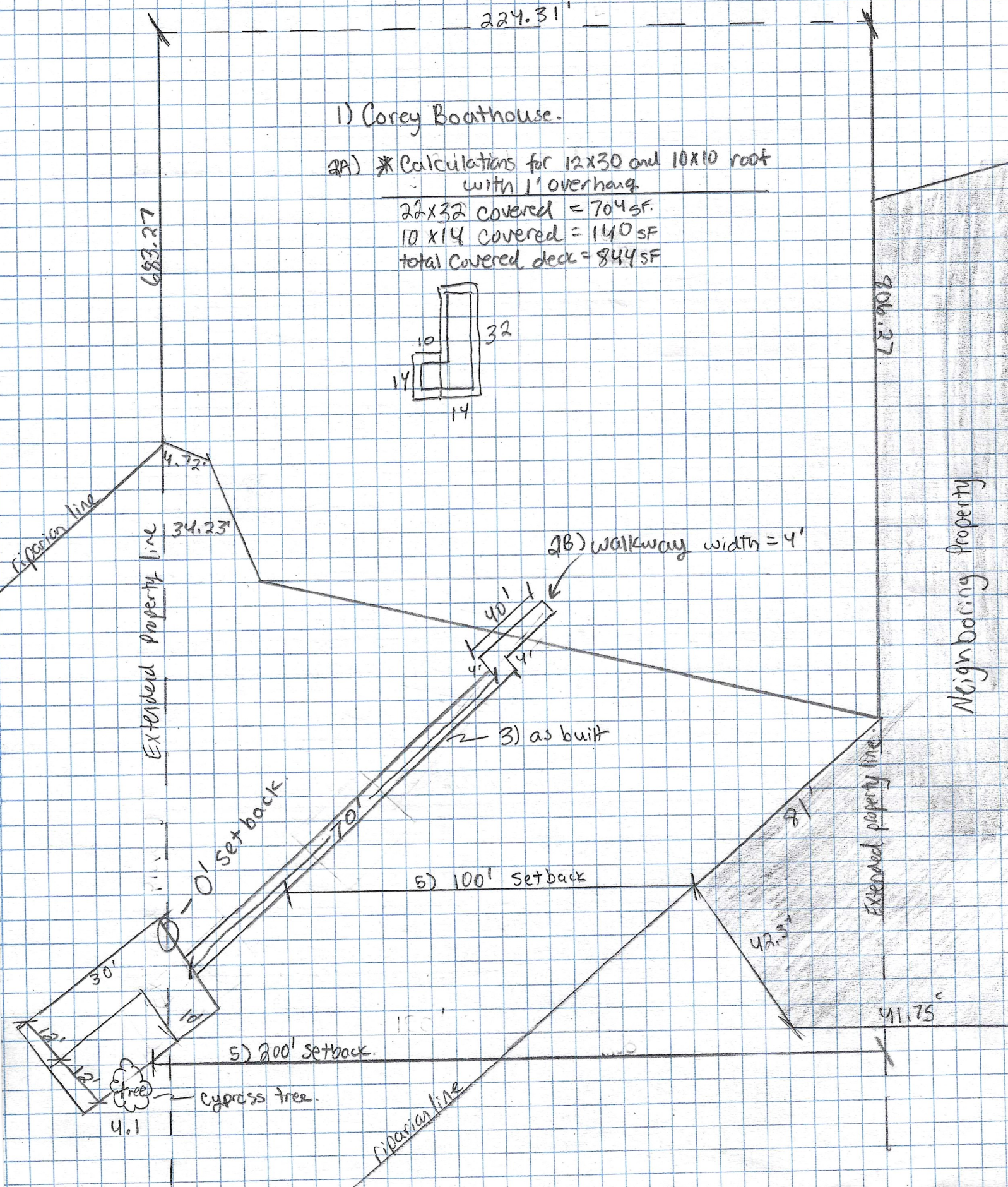
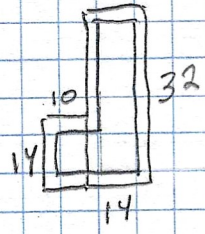


224.31'

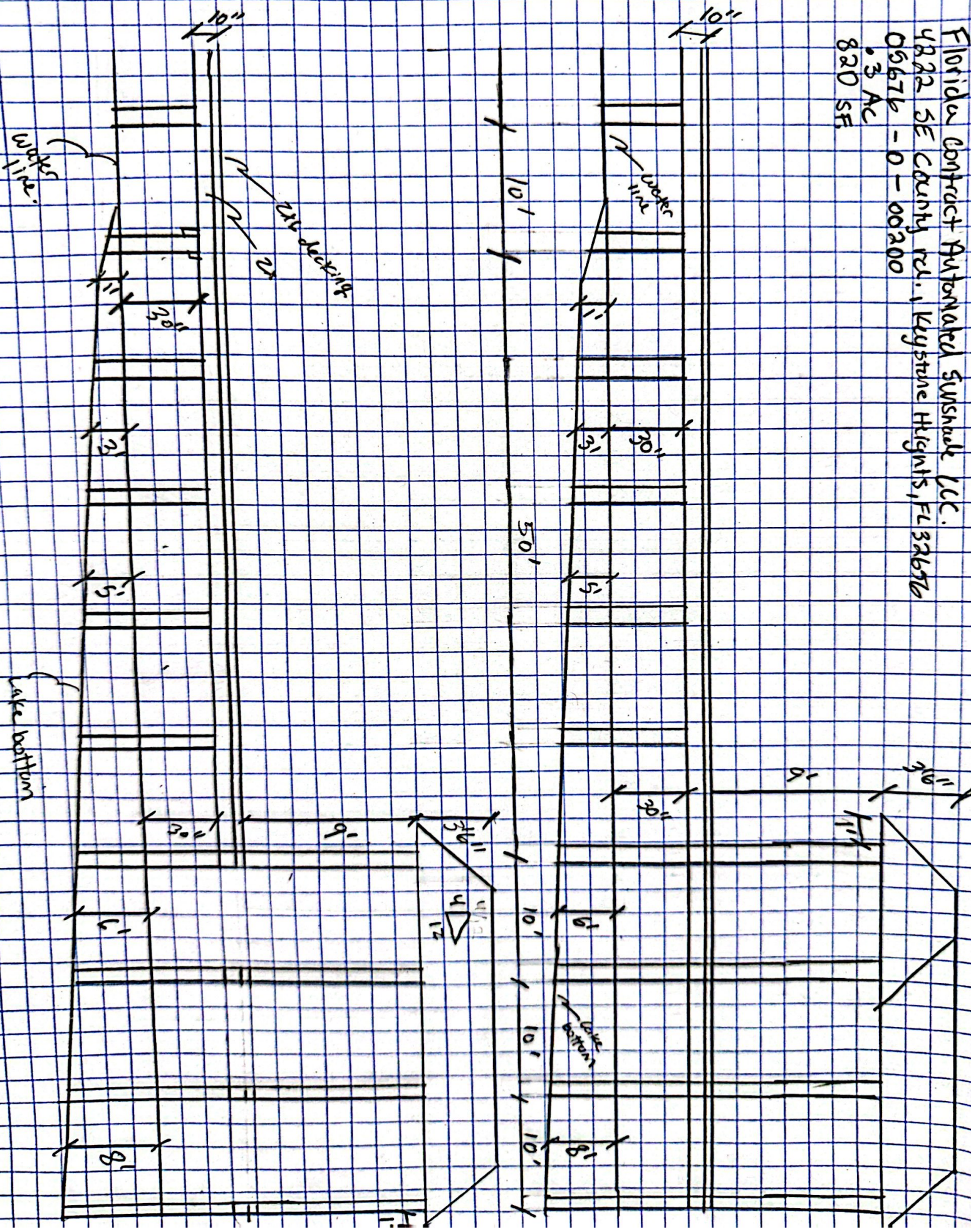
1) Corey Boathouse.

2A) * Calculations for 12x30 and 10x10 roof with 1' overhang

22x32 covered = 704 SF.
 10 x 14 covered = 140 SF
 total covered deck = 844 SF



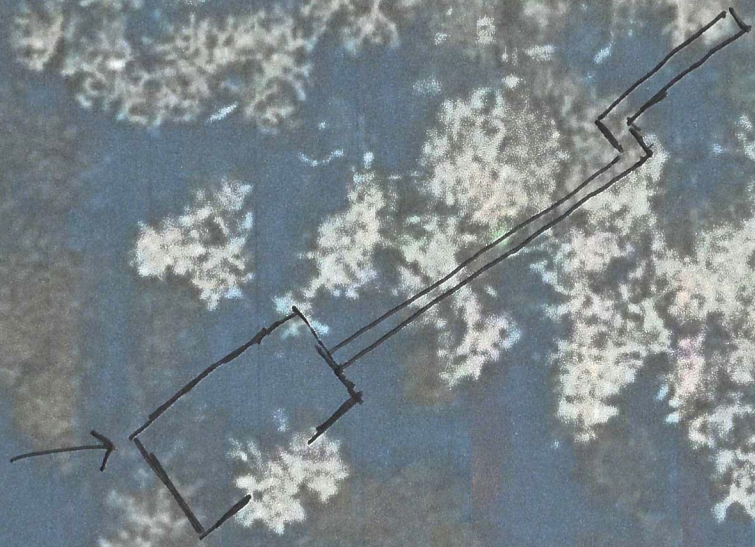
Florida Contract Automated SWSshade LLC.
 4822 SE County rd. 1, Keystone Heights, FL 32696
 05676 - 0 - 00200
 .3 AC
 820 SF



Navigation Plan #7



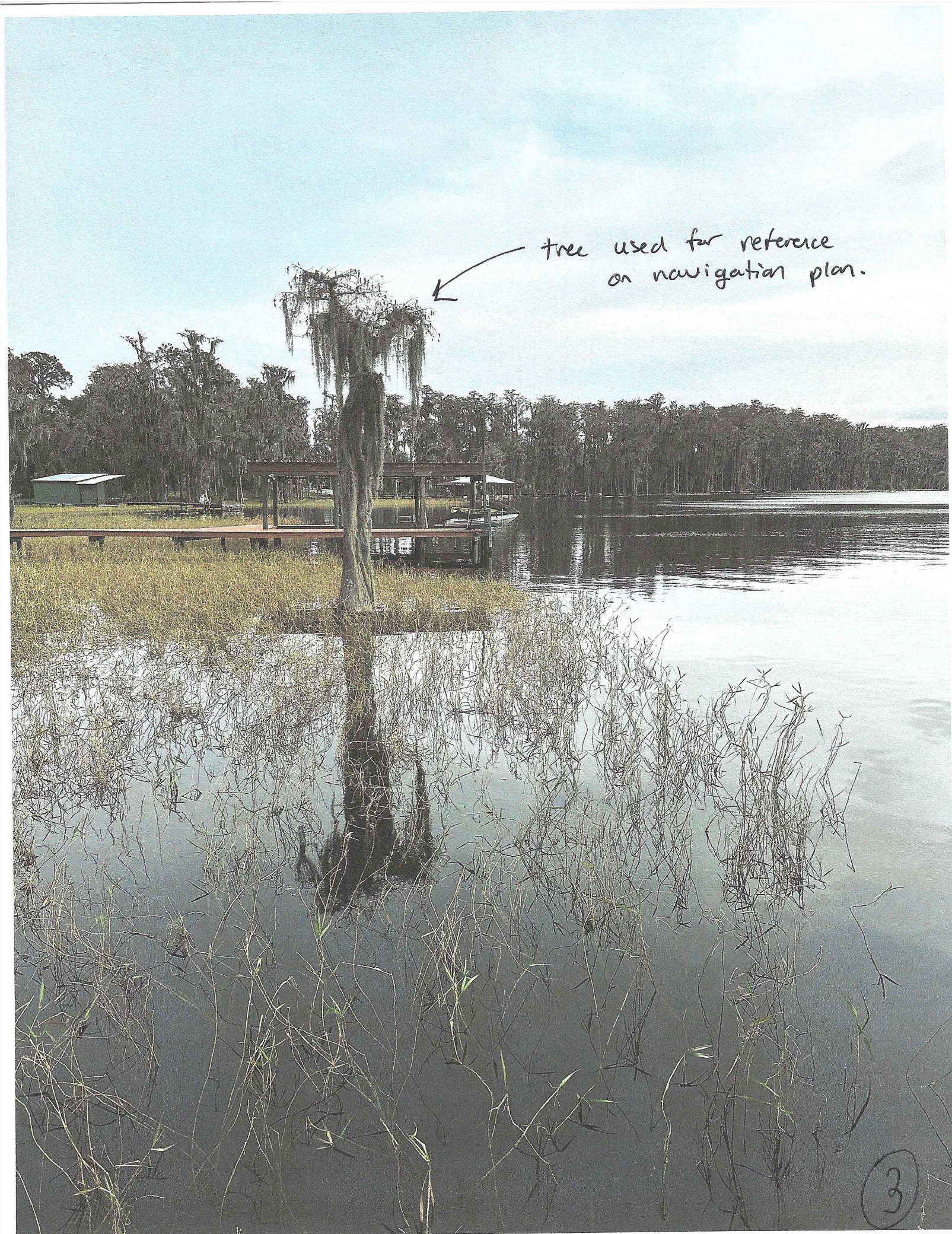
Not to
Scale



See page 3



tree used for reference
on navigation plan.



3